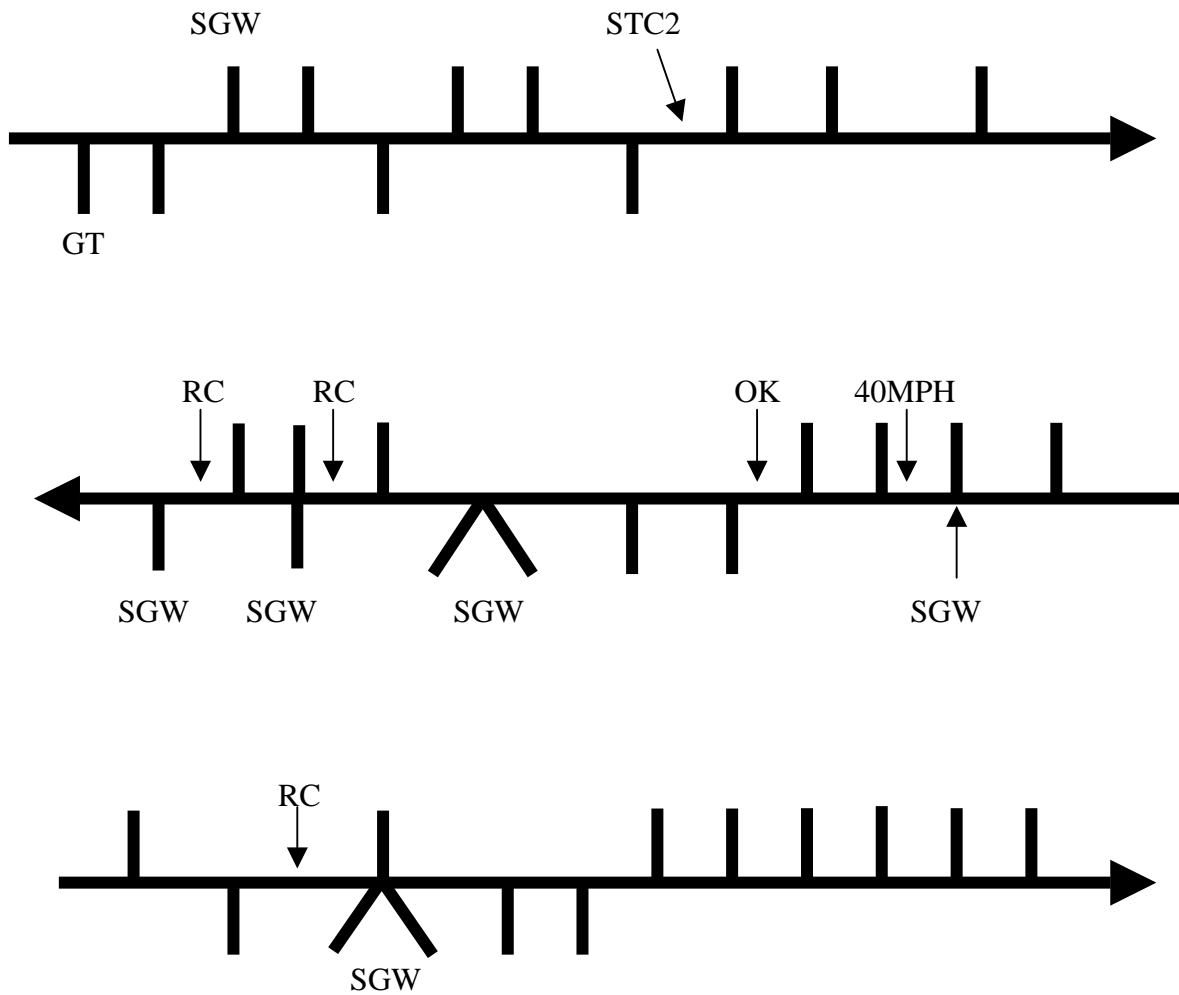


Beverley and District Motor Club Limited  
Maple Garage Beaver Rally  
27<sup>th</sup>/28 November 2004

Route Handout 1

Turn right from MTC1 and follow the herringbone to NTC4 at 1455040600.



Give way at 142395

Beverley and District Motor Club Limited  
Maple Garage Beaver Rally  
27<sup>th</sup>/28 November 2004

Route Handout 2

From NTC4 proceed to RTC7 via the following

41RC42152542181641STC5SGW  
17414218RC4318131716RC2415  
SGW43RC141342GW131341

From RTC7 @ 1262540450 do not pass through any  
spot height greater than 7

Route checks will be found in the 5<sup>th</sup>, 7<sup>th</sup> and 9<sup>th</sup> squares

Stop and give way at the junction in square 0939

From STC8, proceed to TTC9 at 106 0067543425.

Proceed via the following grid squares.

0842 - Give way at junction

0441 - Give way at roundabout

0241 - Give way at roundabout

0144 - depart SW from junction

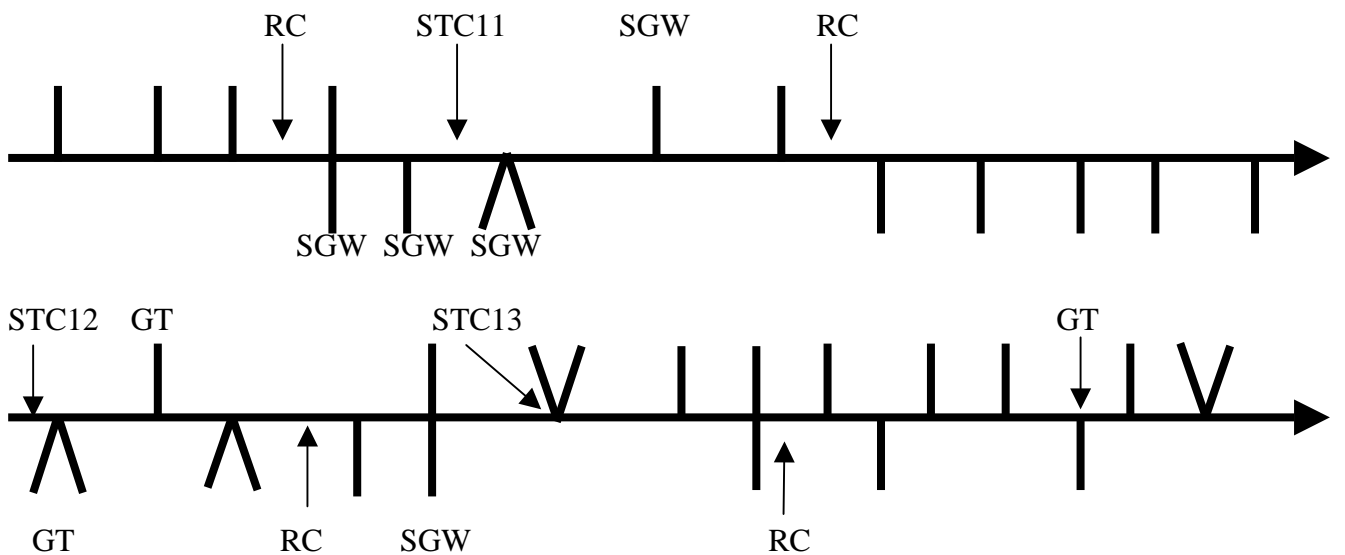
You can make up time on this section as per your time  
card.

Beverley and District Motor Club Limited  
 Maple Garage Beaver Rally  
 27<sup>th</sup>/28 November 2004

Route Handout 3

Proceed via the tulips in increasing alphabetical order and then the herringbone.

D 	K 	N 	G 	C 
J 	A 	M 	L 	F 
I 	O 	E 	B 	H 



Beverley and District Motor Club Limited  
Maple Garage Beaver Rally  
27<sup>th</sup>/28 November 2004

Route Handout 4

Proceed to MTC15 at 8550042800 via the give ways at the junctions in the following squares: - 8842; 8742; 8743 and 8542.

Black Spots

Squares 8741 and 8841.

Hand in time card 1 and fill up with petrol.

Proceed to MTC16 at 7830049550. You should allow 15 minutes to travel from MTC15 to MTC16.

Proceed via the following squares: -

8543 – Quiet Shiptonthorpe.

8245 and 8145 – Quiet Hayton

7748 and 7749 – Quiet Barmby Moor.

Black Spot

Square 8048    779488

Beverley and District Motor Club Limited  
Maple Garage Beaver Rally  
27<sup>th</sup>/28 November 2004

Route Handout 5

Proceed to NTC19 at 8195056925 via the following map references in numerical order.

- |    |   |    |  |
|----|---|----|--|
| 1  | 40MPH   | 13 | 791 <sup>1</sup> / <sub>4</sub> 546 <sup>1</sup> / <sub>2</sub> GT |
| 2  | 789 <sup>3</sup> / <sub>4</sub> 505 <sup>1</sup> / <sub>4</sub> SGW | 14 | 793 <sup>3</sup> / <sub>4</sub> 547                                |
| 3  | OK  | 15 | 789 <sup>3</sup> / <sub>4</sub> 553                                |
| 4  | 786 <sup>3</sup> / <sub>4</sub> 516 <sup>1</sup> / <sub>4</sub>     | 16 | 779 <sup>1</sup> / <sub>4</sub> 552 <sup>1</sup> / <sub>4</sub> GT |
| 5  | RC  | 17 | 766 <sup>1</sup> / <sub>4</sub> 556 <sup>1</sup> / <sub>2</sub>    |
| 6  | 779 <sup>3</sup> / <sub>4</sub> 511 <sup>1</sup> / <sub>4</sub> SGW | 18 | 763563 <sup>1</sup> / <sub>2</sub> GW                              |
| 7  | RC  | 19 | 779 <sup>1</sup> / <sub>2</sub> 565 <sup>1</sup> / <sub>2</sub>    |
| 8  | 40MPH   | 20 | 793566 <sup>1</sup> / <sub>2</sub>                                 |
| 9  | 773 <sup>1</sup> / <sub>4</sub> 520                                 | 21 | 809 <sup>3</sup> / <sub>4</sub> 567 <sup>1</sup> / <sub>2</sub>    |
| 10 | 773 <sup>1</sup> / <sub>4</sub> 520 <sup>1</sup> / <sub>2</sub>     | 22 | 813 <sup>1</sup> / <sub>4</sub> 568                                |
| 11 | OK  | 23 | 819 <sup>1</sup> / <sub>2</sub> 569 – in lay-by                    |
| 12 | STC17   | 24 | NTC19  |

Beverley and District Motor Club Limited  
Maple Garage Beaver Rally  
27<sup>th</sup>/28 November 2004

Route Handout 6

Proceed to NTC25 at  
8190061750 via the following

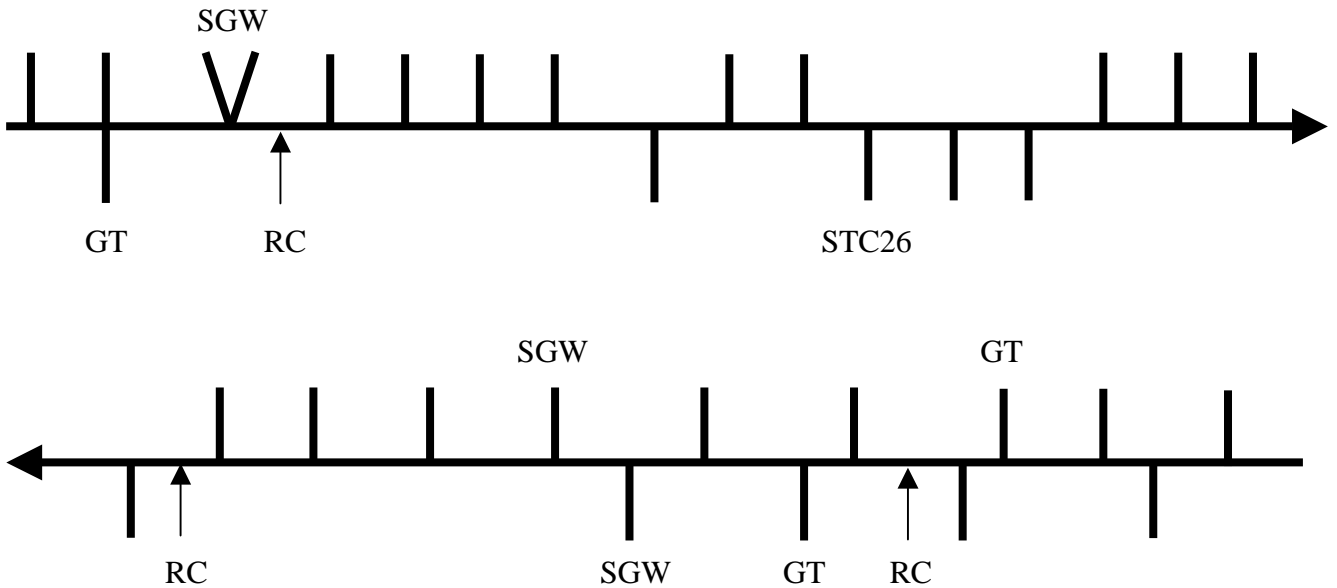
82 RC 56 83 SGW 55 RC  
STC20 54 83 53 GT 83 53 53  
84 53 RC 54 85 RC 86  
STC21 87 55 87 RC 56  
STC22 86 57 85 57 RC SGW  
84 SGW STC23 SGW 57 84  
RC 85 58 RC 59 85 RC 60  
STC24 61 84 83 82

Black spot – 834567½

Beverley and District Motor Club Limited  
 Maple Garage Beaver Rally  
 27<sup>th</sup>/28 November 2004

Route Handout 7

From NTC25 to NTC31 at 7500062900 follow the herringbone



And then the following

86 64 RC 66 SGW RC 48 GW 64 RTC28 34 RC  
 STC29 23 64 STC30 75 NTC31

Black spots 784668<sup>1</sup>/<sub>2</sub> ; 776<sup>1</sup>/<sub>2</sub>651; 753655<sup>1</sup>/<sub>2</sub>; 100metres radius.

Beverley and District Motor Club Limited  
 Maple Garage Beaver Rally  
 27<sup>th</sup>/28 November 2004

Route Handout 8

From NTC31 to NTC35 at 7930061900 via the tulips in increasing numerical order.

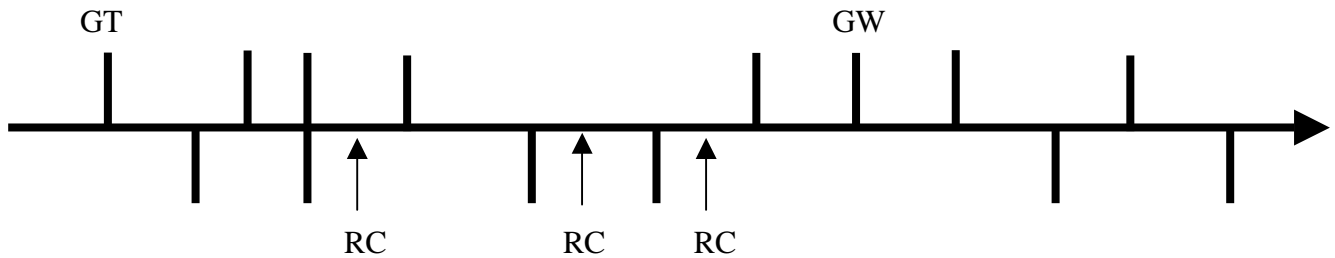
1 GT 	31 	18 	23 	6 
7 	11 GT 	2 	12 SGW 	19 and 20 
24 	17 RC 	26 and 27 STC RC 	28 GW 	8 RC 
10 	30 	22 	3 	15 
16 SGW RC 	4 	25 SGW 	29 	9 
32 NTC35 	14 	5 	13 	21 RC 



Beverley and District Motor Club Limited  
 Maple Garage Beaver Rally  
 27<sup>th</sup>/28 November 2004

Route Handout 9

From NTC35 to MTC40 at 7037551100 via the following navigation.



755<sup>1</sup>/<sub>4</sub>562<sup>1</sup>/<sub>4</sub>GW      746563<sup>1</sup>/<sub>2</sub>      743564 depart S

745<sup>1</sup>/<sub>4</sub>553<sup>3</sup>/<sub>4</sub>      RC      728545<sup>1</sup>/<sub>2</sub> SGW

73 54 RC 74 53 STC38 SGW 52 75 RC 51 75  
 SGW 75 STC39 76 SGW 50 40MPH

764491<sup>3</sup>/<sub>4</sub> SGW OK 753<sup>1</sup>/<sub>4</sub>479<sup>1</sup>/<sub>2</sub> RC 717<sup>3</sup>/<sub>4</sub>476<sup>3</sup>/<sub>4</sub>

RC 721488      722<sup>1</sup>/<sub>2</sub>495      722496<sup>1</sup>/<sub>4</sub>

724507<sup>3</sup>/<sub>4</sub> GW

Complete your damage declaration form and hand in time card 3 at MTC41. Enjoy your breakfast and wait for the results to be produced.